

# Model E SERIES

## ELECTRIC BOOM LIFTS



### Performance

Platform Height		
E300AJ/E300AJP	30 ft	9.14 m
E400A/E400AJP	40 ft	12.19 m
E400AN/E400AJPN	40 ft	12.19 m
E450A/E450AJP	45 ft	13.72 m
Horizontal Outreach		
E/M400AN	21 ft 2 in.	6.45 m
E/M450A	23 ft 1 in.	7.04 m
With Jib		
E300AJ	20 ft	6.1 m
E/M450AJ	23 ft 9 in.	7.24 m
With JibPLUS		
E300AJP	20 ft 6 in.	6.25 m
E/M400AJPN	22 ft 5 in.	6.83 m
Up and Over Height		
E300AJ/E300AJP	13 ft 1 in.	3.99 m
E400A/E400AJP	21 ft 6 in.	6.55 m
E400AN/E400AJPN	21 ft 6 in.	6.55 m
E450A	24 ft 7 in.	7.49 m
E450AJ	25 ft 3 in.	7.7 m
Swing	360° Non-Continuous	
Platform Capacity	500 lb	227 kg
Platform Rotator	180° Hydraulic	
Weight		
E400AJ/E400AJP	13,700 lb	6,214 kg
E400AN/E400AJPN	13,100 lb	5,942 kg
E450A	12,600 lb	5,715 kg
With Jib		
E300AJ	15,060 lb	6,831 kg
E450AJ	14,400 lb	6,532 kg
With JibPLUS		
E300AJP	15,400 lb	6,985 kg
E400AJP	13,700 lb	6,214 kg
E400AJPN	14,900 lb	6,759 kg
Ground Bearing Pressure		
E300AJ/E300AJP	168 psi	11.8 kg/cm <sup>2</sup>
E400A/E400AJP	75 psi	5.2 kg/cm <sup>2</sup>
E400AN/E400AJPN	95 psi	6.7 kg/cm <sup>2</sup>
E450A/E450AJP	64 psi	4.48 kg/cm <sup>2</sup>
E450AJPN	75 psi	5.25 kg/cm <sup>2</sup>
With JibPLUS		
E300AJP	168 psi	11.8 kg/cm <sup>2</sup>
E400AJP	74 psi	5.2 kg/cm <sup>2</sup>
E400AJPN	185 psi	13.0 kg/cm <sup>2</sup>
Drive Speed		
E300AJ/E300AJP	3.0 mph	4.8 km/h
E400AN/E400AJPN	3.0 mph	4.8 km/h
E400A/E400AJP/E450A/E450AJP	3.2 mph	5.2 km/h
Gradeability		
E300AJ/E300AJP	25%	
E400AN/E400AJPN	30%	
E400A/E400AJP/E450A/E450AJP	30%	
Turning Radius (Inside)		
E300AJ/E300AJP	5 ft	1.52 m
E400A/E400AJP/E450A/E450AJ	2 ft	0.61 m
E400AN/E400AJPN	2 ft 10 in.	0.86 m
Turning Radius (Outside)		
E300AJ/E300AJP	10 ft 2 in.	3.1 m
E400A/E400AJP/E450A/E450AJ	10 ft 4 in.	3.15 m
E400AN/E400AJPN	10 ft 4 in.	3.15 m



### Standard Specifications

#### Power Source

Electrical System	48V DC	
Batteries	8 x 6V, 370 amp-hr	
Drive Motors	Dual Electric Traction	
Generator Set (M Models)		
Diesel Engine		
Kubota 45 amp	6.7 hp	4.99 kW
Fuel Tank Capacity	4 gal	15.2 L

#### Hydraulic System

• E300AJ/E300AJP	2.1 gal	7.95 L
• E400AJ/E400AJP/E400AN	4 gal	15.2 L
• E400AJPN/E450A/E450AJ	4 gal	15.2 L
• Motor/pump	Permanent Magnet Motor/Gear Pump	

#### Tires

• E300AJ/E300AJP	25 x 7 x 12 Non-Marking
• E400A/E400AJP	240/55-17.5 Pneumatic
• E450A/E450AJ	240/55-17.5 Pneumatic
• E400AN/E400AJPN	
Front	22 x 6 x 17.5 Non-Marking
• E400AN/E400AJPN	
Back	25 x 7 x 12 Non-Marking

### Standard Features

• Automatic Traction Control (ATC)	• Battery Condition Indicator
• Inward Self-Closing Swing Gate	• Lifting/Tie Down Lugs
• 180 Degree Hydraulic Platform Rotator	• Horn
• 110V-AC Receptacle on Platform	• Operator Tool Tray
• Tilt Light and Alarm	• All Motion Alarm
• Hourmeter	• Eight 6V 370 Amp-Hour Deep Cycle Batteries

### Accessories & Options

• Platform Worklights	• Cylinder Bellows
• Mesh to Top Rail—Bolt-on Aluminum	• UL® EE Rating <sup>1</sup>
• Acrylic Console Shield	• Flashing Amber Beacon

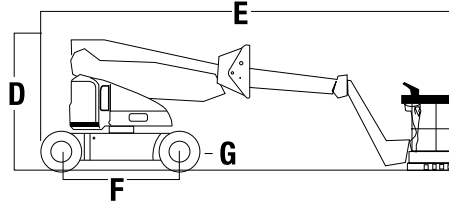
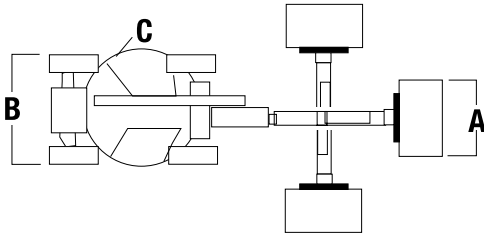
1. Not available on Multi-Powered models

# Model E SERIES

## TELESCOPIC BOOM LIFTS

### Dimensions

All dimensions are approximate.



#### A. Platform Size

E300AJ	30 x 48 in.	0.76 x 1.22 m
E300AJP	30 x 48 in.	0.76 x 1.22 m
E/M400AN	30 x 48 in.	0.76 x 1.22 m
E/M400AJP	30 x 60 in.	0.76 x 1.52 m
E/M400AJPN	30 x 48 in.	0.76 x 1.22 m
E/M450A	30 x 60 in.	0.76 x 1.52 m
E/M450AJ	30 x 60 in.	0.76 x 1.52 m

#### C. Tailswing

E300AJ	Zero	
E300AJP	Zero	
E/M400AN	4 in.	10 cm
E/M400AJP	Zero	
E/M400AJPN	4 in.	10 cm
E/M450A	Zero	
E/M450AJ	Zero	

#### E. Stowed Length

E300AJ	18 ft 2 in.	5.54 m
E300AJP	18 ft 10 in.	5.74 m
E/M400AN	18 ft 1 in.	5.51 m
E/M400AJP	22 ft	6.71 m
E/M400AJPN	22 ft	6.71 m
E/M450A	19 ft 1 in.	5.82 m
E/M450AJ	21 ft 2 in.	6.45 m

#### G. Ground Clearance

E300AJ	4 in.	10 cm
E300AJP	4 in.	10 cm
E/M400AN	5 in.	13 cm
E/M400AJP	8.5 in.	22 cm
E/M400AJPN	5 in.	13 cm
E/M450A	8.5 in.	22 cm
E/M450AJ	8.5 in.	22 cm

#### B. Overall Width

E300AJ	4 ft	1.22 m
E300AJP	4 ft	1.22 m
E/M400AN	4 ft 11 in.	1.5 m
E/M400AJP	5 ft 9 in.	1.75 m
E/M400AJPN	4 ft 11 in.	1.5 m
E/M450A	5 ft 9 in.	1.75 m
E/M450AJ	5 ft 9 in.	1.75 m

#### D. Stowed Height

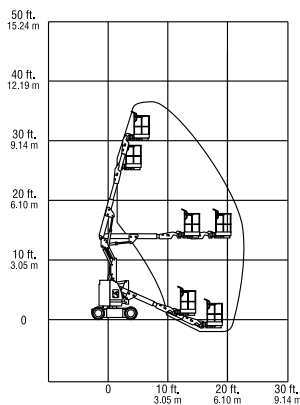
E300AJ	6 ft 7 in.	2.01 m
E300AJP	6 ft 7 in.	2.01 m
E/M400AN	6 ft 5.75 in.	1.97 m
E/M400AJP	6 ft 7 in.	2.01 m
E/M400AJPN	6 ft 5.75 in.	1.97 m
E/M450A	6 ft 6 in.	1.98 m
E/M450AJ	6 ft 7 in.	2.01 m

#### F. Wheelbase

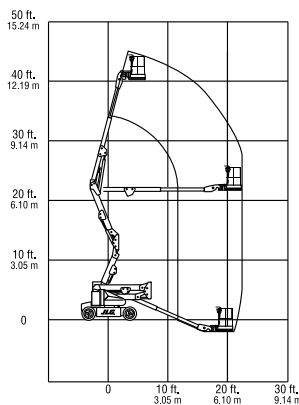
E300AJ	5 ft 5 in.	1.65 m
E300AJP	5 ft 5 in.	1.65 m
E/M400AN	6 ft 7 in.	2.01 m
E/M400AJP	6 ft 7 in.	2.01 m
E/M400AJPN	6 ft 7 in.	2.01 m
E/M450A	6 ft 7 in.	2.01 m
E/M450AJ	6 ft 7 in.	2.01 m

### Reach Diagrams

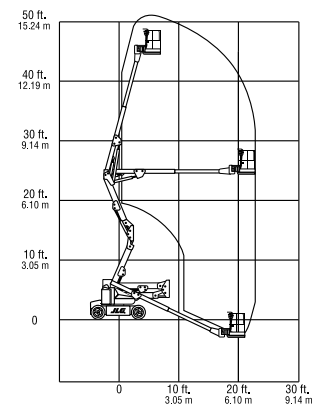
#### E300



#### E400



#### E450



### The JLG "1 & 5" Warranty

JLG Industries, Inc. backs our products with our exclusive "1 & 5" Warranty. We provide coverage on all products for one (1) full year, and cover all specified major structural components for five (5) full years. Due to continuous product improvements, we reserve the right to make specification and/or equipment changes without prior notification. This machine meets or exceeds applicable OSHA Regulations in 29 CFR 1910.67, 29 CFR 1926.453 and ANSI A92.5-2006 as originally manufactured for intended applications.

Form No.: SS-EB00MS-1202-10M  
Part No.: 3131119  
R091306  
Printed in USA

**JLG Industries, Inc.**  
1 JLG Drive  
McConnellsburg, PA 17233-9533  
Telephone 717-485-5161  
Toll-free in US 877-JLG-LIFT  
Fax 717-485-6417  
[www.jlg.com](http://www.jlg.com)

**An Oshkosh Corporation Company**